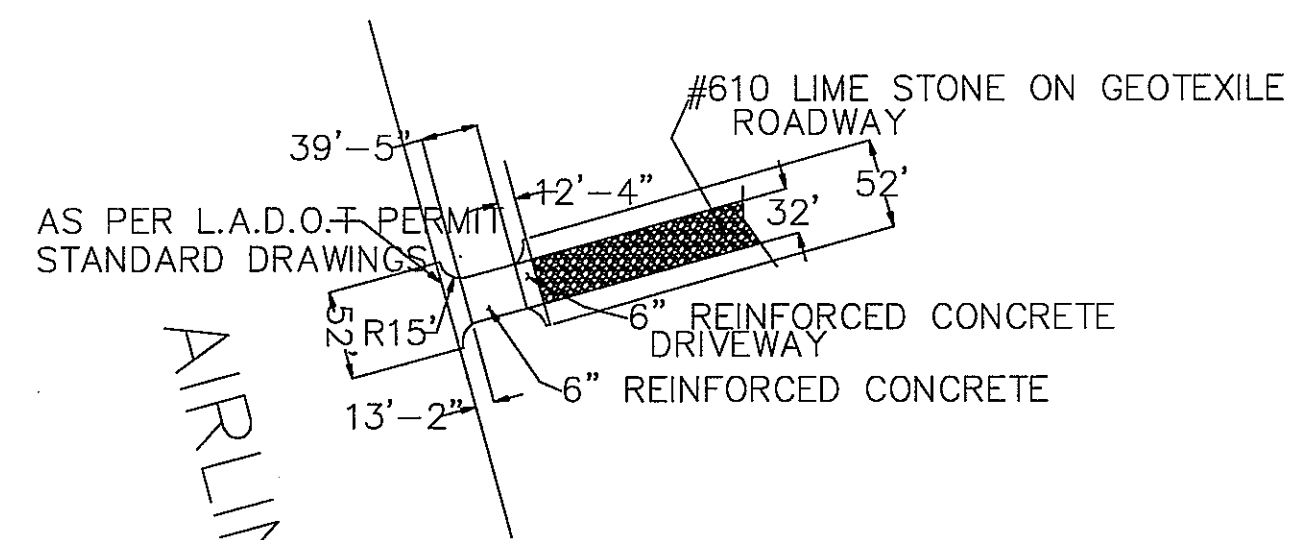


LAY-OUT PLAN OF TRACK



DETAIL OF ROAD ENTRY

- NOTES
- 1) ALL TO BE PER D.O.T.D SPECIFICATIONS AND PERMIT FOR DRIVEWAYS.