

**SECTION 00806**

**CHANGE ORDER**

No. 1 (Balancing)

DATE OF ISSUANCE: July 27, 2016

EFFECTIVE DATE: Date of Owner's Signature

OWNER St. Charles Parish

CONTRACTOR BLD Services, LLC

Contract \_\_\_\_\_

Project Primrose Lift Station and Force Main Upgrades

OWNER's Contract No. S091101

ENGINEER's Contract No. 1213

ENGINEER Environmental Engineering Services, Inc.

You are directed to make the following changes in the Contract Documents:

**Description:**

1. Delete the Following Work Items:

N/A

2. Add the Following Work Items:

- a. New Contract Item #X-1: Mister on the Odor Control System.  
Addition of \$2,500.00 (L.S.). See attached cost estimate for details.
- b. New Contract Item #X-2: Poured concrete around the station.  
Addition of \$2,250.00 (L.S.). See attached cost estimate for details.
- c. New Contract Item #X-3: Replace four (4) concrete panels.  
Addition of \$9,995.00 (L.S.). See attached cost estimate for details.
- d. New Contract Item #X-4: Replace electrical pull box with larger box per Entergy.  
Addition of \$6,765.00 (L.S.). See attached cost estimate for details.
- e. New Contract Item #X-5: Longer cord for flow meter.  
Addition of \$575.00 (L.S.). See attached cost estimate for details.
- f. New Contract Item #X-6: Longer transducer cable.  
Addition of \$1,575.00 (L.S.). See attached cost estimate for details.
- g. New Contract Item #X-7: Drain line along east side.  
Addition of \$4,985.00 (L.S.). See attached cost estimate for details.
- h. New Contract Item #X-8: Replace drain line to conflict box.  
Addition of \$5,250.00 (L.S.). See attached cost estimate for details.
- i. New Contract Item #X-9: Elevate control panel above BFE.  
Addition of \$5,500.00 (L.S.). See attached cost estimate for details.

Total of Added Work Items = (+\$39,395.00)

3. Revise the Following Work Item Quantities:

- a. Contract Item #1A: 2" HDPE Electrical Conduit  
The quantity is to be changed from 4,700 to 2,600 linear feet (-\$6,300.00).
- b. Contract Item #1B: 14" HDPE DR17 IPS Force Main  
The quantity is to be changed from 1,900 to 1,824 linear feet (-\$2,280.00).
- c. Contract Item #1C: 12" Ductile CL53 Force Main  
The quantity is to be changed from 20 to 18 linear feet (-\$340.00).

- d. Contract Item #45: Relocation of Infrastructure  
The quantity is to be changed from 1 to 0 each (-\$35,000.00).
- e. Contract Item #1F: 4" HDPE DR11 IPS Force Main  
The quantity is to be changed from 1,250 to 1,230 linear feet (-\$60.00).
- f. Contract Item #1G: 4" PVC DR18 Force Main  
The quantity is to be changed from 80 to 75 linear feet (-\$300.00).
- g. Contract Item #11C: 4" HDPE Carrier Pipe (Directional Drill)  
The quantity is to be changed from 1,250 to 1,230 linear feet (-\$720.00).

Total of Revised Work Items = (-\$45,000.00)

**Reason for Change Order:** List a reason for each Line Item listed above.

1. Deleted Work Items  
N/A
2. Add Work Items
  - a. A mister was requested on the Odor Control system by the Wastewater Department
  - b. Concrete was needed around the station for maintenance and also for Entergy to access the transformer per the Wastewater Department's and Entergy's request.
  - c. Four concrete street panels were replaced in order to have proper run off flow since installing the SFM per Wastewater Department.
  - d. Replaced electrical box with a larger box per Entergy's requirements.
  - e. The flow meter needed to be moved farther away to place it directly behind the entrance of the road barrier at the request of the Wastewater Department.
  - f. The electrical control panel was moved atop the existing location of the old electrical control panel behind the shrubbery at the request of the Wastewater Department.
  - g. A drain line was provided on the east side of the street to accommodate drainage problems in this area per Wastewater Department. All existing drainage pipes were originally not laid to proper grade for drainage. New line was required to properly drain this area.
  - h. Drain line through the conflict box once the existing drain line was reconstructed to the proper alignment. Drain pipe was not originally in project. Original drain pipe was damaged (not by Contractor) prior to construction activities. Wastewater Department wanted to correct this drainage pipe problem before constructing new concrete surface above this drain pipe.
  - i. The control panel had to be elevated one foot higher at the direction of the Public Works Engineer.
3. Revise Work Item Quantities
  - a. Quantities adjusted to meet field construction.
  - b. Quantities adjusted to meet field construction.
  - c. Quantities adjusted to meet field construction.
  - d. Item not required to complete project.
  - e. Quantities adjusted to meet field construction.
  - f. Quantities adjusted to meet field construction.
  - g. Quantities adjusted to meet field construction.

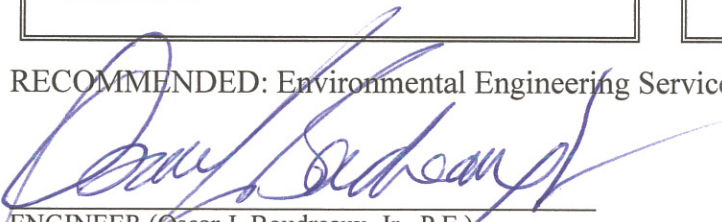
**Attachments:** (List documents supporting change)

1. E-mail dated June 22, 2016 from Thomas Behan with BLD Services, LLC describing the change order.
2. E-mails between Thomas Behan with BLD Services, LLC and Chad Aucoin with Entergy discussing the pull box specifications for New Contract Item #X-4.

CHANGE IN CONTRACT PRICE:
Original Contract Price <u>\$979,700.00</u>
Net increase (decrease) from previous Change Orders No. <u>  </u> to <u>  </u> : \$ <u>  0.00</u>
Contract Price prior to this Change Order: <u>\$979,700.00</u>
Net decrease of this Change Order: -\$ <u>5,605.00</u>
Contract Price with all approved Change Orders: <u>\$974,095.00</u>

CHANGE IN CONTRACT TIMES:
Original Contract Times: Substantial Completion: <u>  235  </u> Ready for final payment: <u>  280  </u> (days or dates)
Net change from previous Change Orders No. <u>  </u> to No. <u>  </u> : Substantial Completion: <u>  -0-  </u> Ready for final payment: <u>  -0-  </u> (days)
Contract Times prior to this Change Order: Substantial Completion: <u>  235  </u> Ready for final payment: <u>  280  </u> (days or dates)
Net decrease this Change Order: Substantial Completion: <u>  74  </u> Ready for final payment: <u>  74  </u> (days)
Contract Times with all approved Change Orders: Substantial Completion: <u>  161  </u> Ready for final payment: <u>  206  </u> (days or dates)

RECOMMENDED: Environmental Engineering Services, Inc.



ENGINEER (Oscar J. Boudreaux, Jr., P.E.)

Date: 7/27/2016

APPROVED: St. Charles Parish

OWNER (Larry Cochran, Parish President)

Date: \_\_\_\_\_

APPROVED: BLD Services, LLC



CONTRACTOR (Thomas Behan)

Date: 7/27/16

## Heather Becnel

---

**From:** Oscar Boudreaux <oboudreaux@eesinc.net>  
**Sent:** Friday, July 01, 2016 7:17 AM  
**To:** hbecnel@eesinc.net  
**Subject:** FW: Primrose Extras  
**Attachments:** Primrose Extras CtC.pdf

Oscar J Boudreaux, Jr. P.E.  
Environmental Engineering Svcs, Inc.  
610 Belle Terre Blvd  
Laplace, LA 70068  
Office: 985-653-0185  
Cell: 225-933-7280  
Home: 225-819-1360

**From:** Thomas Behan [mailto:thomasb@bldllc.net]  
**Sent:** Wednesday, June 22, 2016 3:20 PM  
**To:** Oscar Boudreaux <oboudreaux@eesinc.net>  
**Cc:** Lee Zeringue (lzingue@stcharlesgov.net) <lzingue@stcharlesgov.net>; L. J. Brady (ljbrady@stcharlesgov.net) <ljbrady@stcharlesgov.net>  
**Subject:** Primrose Extras

Oscar,

See attached for the extras on Primrose.

- x-1 Requested a Mister on the Odor Control system
- x-2 Poured concrete around the station. This was needed for maintenance and also for Entergy to access the transformer
- x-3 Replaced 4 concrete street panels in order to have proper run off flow since installing the SFM
- x-4 Replace electrical box see email from Entergy
- x-5 Moved the flow meter farther away and moved the control panel
- x-6 Moved the control panel
- x-7 Drain line on east side of project
- x-8 Drain line thru conflict boxes
- x-9 Had to elevate the control panel more than the 1'.

**Thomas A. Behan**  
BLD Services, LLC  
2424 Tyler St.  
Kenner, LA 70062  
(504) 466-1344 office  
(504) 602-1072 direct  
(504) 461-5971 fax  
(225) 303-8207 cell



## Heather Becnel

---

**From:** Oscar Boudreaux <oboudreaux@eesinc.net>  
**Sent:** Friday, July 01, 2016 7:47 AM  
**To:** hbecnel@eesinc.net  
**Subject:** FW: Primrose Pull Box  
**Attachments:** Primary pull box specs .PDF; Submittal 10 - Pull Box.pdf

**From:** Thomas Behan [mailto:thomasb@bldllc.net]  
**Sent:** Wednesday, June 22, 2016 3:15 PM  
**To:** Oscar Boudreaux <oboudreaux@eesinc.net>  
**Cc:** Lee Zeringue (lzingue@stcharlesgov.net) <lzingue@stcharlesgov.net>; L. J. Brady (ljbrady@stcharlesgov.net) <ljbrady@stcharlesgov.net>  
**Subject:** FW: Primrose Pull Box

See below and attached. This is going to be for X-4 in the extra spreadsheet

**Thomas A. Behan**  
BLD Services, LLC

**From:** AUCOIN, CHAD J [mailto:CAUCOI3@entergy.com]  
**Sent:** Wednesday, January 20, 2016 3:56 PM  
**To:** Thomas Behan <thomasb@bldllc.net>  
**Subject:** RE: Primrose Pull Box

Thomas,

The pull box specs are in the attached documents. For a three phase primary pull box it will have to be 48" X 96" in size. Any other questions let me know and I will do my best to answer.

*Chad J. Aucoin*  
*Engineer Associate*  
*985-785-4317 Office*  
*985-785-8071 Fax*  
*[caucoi3@entergy.com](mailto:caucoi3@entergy.com)*  
*Entergy Louisiana, LLC.*  
*Distribution Mail Unit L-LUL-490*  
*P.O. Box 61000*  
*New Orleans, Louisiana*  
*70161-1000*

**From:** Thomas Behan [mailto:thomasb@bldllc.net]  
**Sent:** Wednesday, January 20, 2016 3:47 PM  
**To:** AUCOIN, CHAD J  
**Subject:** RE: Primrose Pull Box

**EXTERNAL SENDER. DO NOT click links if sender is unknown. DO NOT provide your user ID or password.**

Chad,

Please see attached and advise if this box meets Entergy specs.

Thanks

Thomas Behan  
BLD Services, LLC  
(225) 303-8207  
Sent from [Outlook Mobile](#)

On Thu, Dec 3, 2015 at 2:10 PM -0800, "AUCOIN, CHAD J" <[CAUCOI3@entergy.com](mailto:CAUCOI3@entergy.com)> wrote:

That is the correct size pull box. The standard continuous conduit that Entergy installs is SDR 13.5 HDPE.

*Chad J. Aucoin  
Engineer Associate  
985-785-4317 Office  
985-785-8071 Fax  
[caucoi3@entergy.com](mailto:caucoi3@entergy.com)  
Entergy Louisiana, LLC.  
Distribution Mail Unit L-LVL-490  
P.O. Box 61000  
New Orleans, Louisiana  
70161-1000*

---

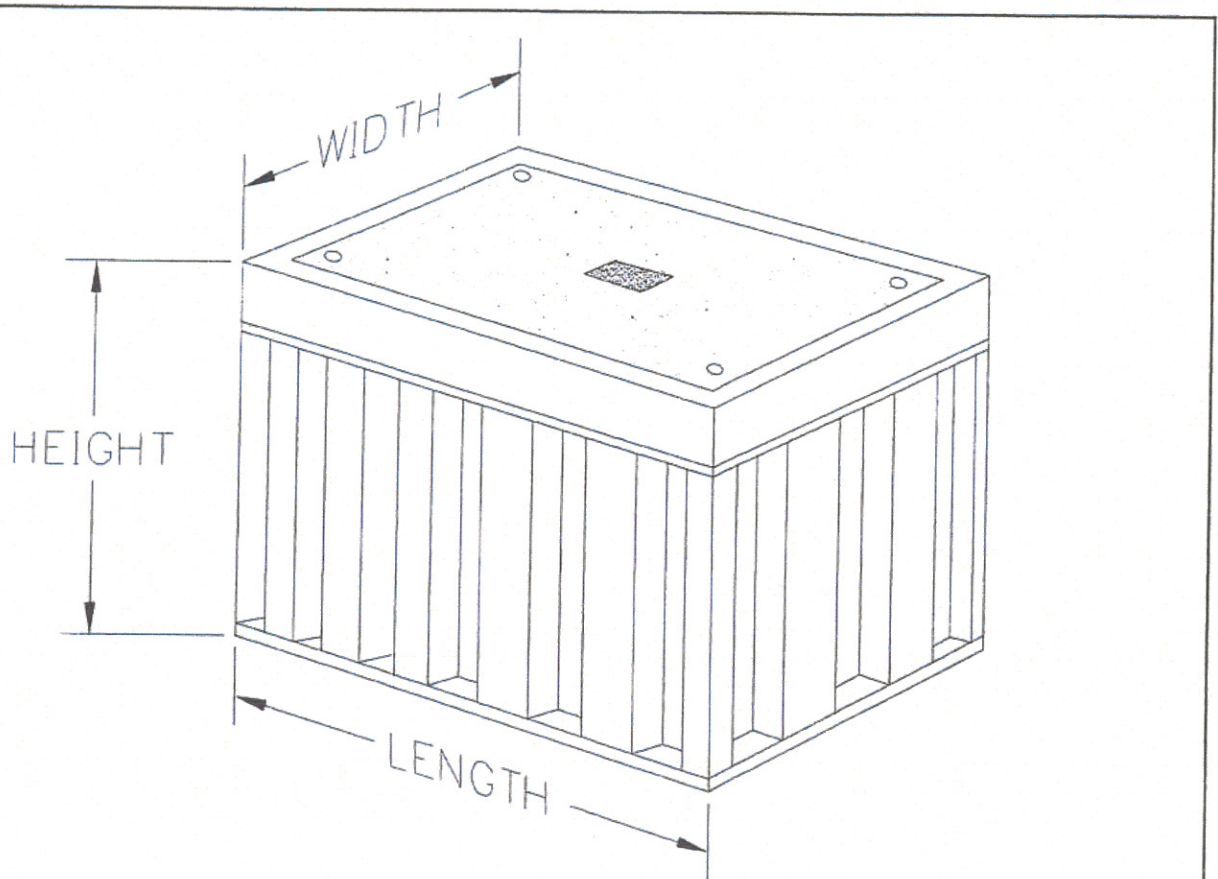
**From:** Thomas Behan [<mailto:thomasb@bldllc.net>]  
**Sent:** Thursday, December 03, 2015 2:08 PM  
**To:** AUCOIN, CHAD J  
**Subject:** Primrose Pull Box

Chad,

See attached drawings. Please see on page 2 the size of the pull box. Is this the correct size of the pull box?

Also, can you send me conduit specs for the drilling the conduits?


**Thomas A. Behan**  
BLD Services, LLC  
2424 Tyler St.  
Kenner, LA 70062  
(504) 466-1344 office  
(504) 602-1072 direct  
(504) 461-5971 fax  
(225) 303-8207 cell  
[thomasb@bldllc.net](mailto:thomasb@bldllc.net)



DISNAME	USC NUMBER	DESCRIPTION
PULLBOX-30X48	EN019155	PULL BOX, SINGLE PHASE, 30"W X 48"L X 30H FOR USE WITH FIBER OPTICS ONLY
PULLBOX-30X60	EN017578	PULL BOX, SINGLE PHASE, 30"W X 60"L X 48"H
<del>PULLBOX-42X72</del>	<del>EN017579</del>	<del>PULL BOX, THREE PHASE, 42"W X 72"L X 48"H</del>
PULLBOX-48X96	EN017580	PULL BOX, THREE PHASE, 48"W X 96"L X 48"H FOR USE WITH FEEDER CABLES ONLY.

**NOTES:**

1. ALL PULLBOXES ARE DESIGNED FOR A-16 LOADING (16,000 LBS. ON A 10" X 10" AREA)
2. ALL PULLBOXES ARE SUPPLIED WITH 2 PULLING EYES RATED AT 2000 LBS.
3. ALL PULLBOXES ARE SUPPLIED WITH TWO 30" LONG CABLE RACKS AND ADJUSTABLE 10" CABLE HOOKS
4. ALL PULLBOXES ARE SUPPLIED WITH A REMOVABLE BOTTOM.

ENTERGY SERVICES, INC.	
PULLBOXES	
APPROVED BY: JDS	DATE: 06-02-98
CHECKED BY: MCC	SCALE: N.T.S.
DRAWN BY: MCC	
No. UG1103011	
 ENTERGY	PLOT 1=1 SH 1 OF 1

NO.	DATE	REVISION	BY	APPR.
-----	------	----------	----	-------