

**PUBLIC NOTICE**

March 10, 2017

STATE OF LOUISIANA  
DEPARTMENT OF NATURAL RESOURCES  
OFFICE OF COASTAL MANAGEMENT  
P.O. BOX 44487  
BATON ROUGE, LA 70804-4487



**Phone:** (225) 342-3781  
**Fax:** (225) 342-9439  
**Email:** vickie.amedee@la.gov

OCM REVIEWER:  
**Vickie Amedee**

CUP NUMBER:  
**P20170160**

**NAME:** LLOX, LLC  
c/o EGR SERVICES, LLC  
1330 PARK DRIVE SUITE 300  
MANDEVILLE, LA 70471  
Attn: Kasey Hebert

**LOCATION:** Saint Charles Parish, LA; Proposed Headlight Prospect Location No. 1 @ Lat. 29-47-41N, Long. 90-23-13W (NAD83); X = 2,300,180, Y = 411,407 (NAD27); Location No. 2 @ Lat. 29-47-42N, Long. 90-23-14W (NAD83); X = 2,300,135, Y = 411,429 (NAD27); Location No. 3 @ Lat. 29-47-42N, Long. 90-23-14W (NAD83); X = 2,300,136, Y = 411,436 (NAD27); Sec. 1, T15S-R20E; Boutte Field; approx. 6 miles east-southeast of Des Allemands, LA

**DESCRIPTION:** Proposed wheel washing an existing canal for access to install structures to drill the proposed Headlight Prospect Location Nos. 1, 2 and 3. Additionally, two existing pipelines along the route will be lowered by hand jetting to a depth of 3'. Approx. 9,865 cu. yds. of native material will be displaced during project activities. Approx. 11.82 ac. of non-vegetated water bottom may be impacted as a result of this proposed activity.

NOTICE the Louisiana Department of Natural Resources, Office of Coastal Management (OCM) has received the above application for a Coastal Use Permit (CUP) in accordance with the State and Local Coastal Resources Management Act of 1978, as amended, (Louisiana R.S. 49:214.21-214.41), and the rules and regulations of the Coastal Resources Program. Applications for the proposed work may be inspected at 617 North 3rd Street, Room 1078, Baton Rouge, LA or on the OCM web page at:

<http://dnr.louisiana.gov/index.cfm?md=pagebuilder&tmp=home&pid=591>. Copies may be obtained upon payment of cost of copying. Written comments, including suggestions for modifications or objections to the proposed work and stating the reasons thereof, are being solicited from the public. Comments must be received within 25 days of the date of publication of this notice. Comments should be uploaded to our electronic record, but may be mailed, faxed or emailed to the designated OCM Reviewer. All comments must contain the appropriate application number and the commenter's full name and contact information.

The public comment period for Coastal Use Permit applications begins on the date of publication of notice in the official journal (The Advocate), in accordance with LAC 43:I. 723(C)(5)(c). OCM will provide this date on request.

Any person may request, in writing, within the comment period specified in this notice, that a State or Federal public hearing be held to consider this application. Requests for public hearings shall state, with particularity, the reasons for holding a public hearing and must contain the name and contact information of the requester.

**Attached plats:** 1) P20170160 Notice Plats 03/01/2017



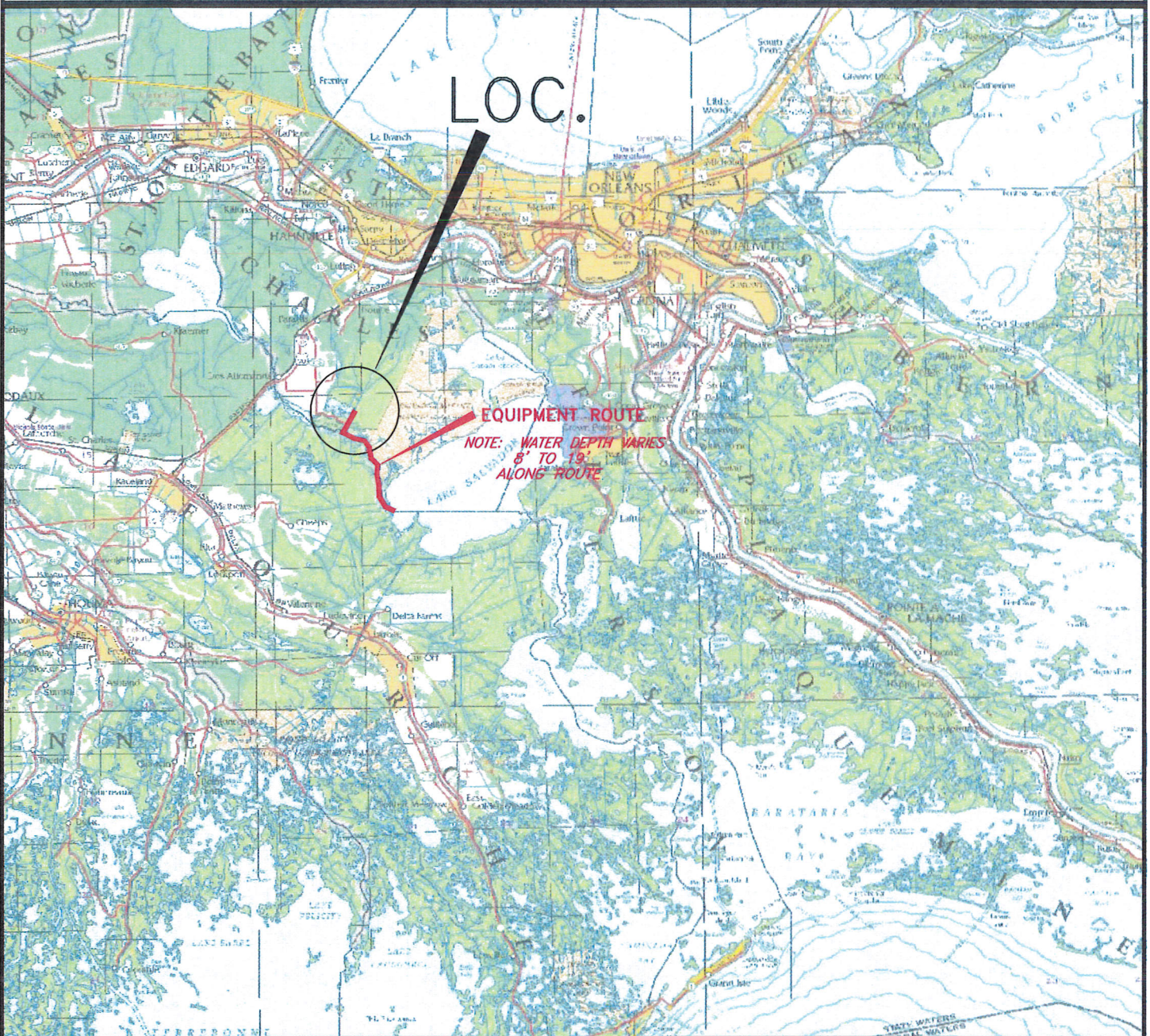
10 miles 0 10 miles 20 miles

PROJ. No. 2016139



SCALE

APPROXIMATELY 6 MILES EAST-SOUTHEAST OF DES ALLEMANDS, LOUISIANA



### LLOX, L.L.C.

HEADLIGHT PROSPECT Nos. 1, 2 & 3

LOCATED IN

SECTION 1, T15S-R20E

BOUTTE FIELD

ST. CHARLES PARISH, LOUISIANA

SCALE: 1" = 10 MILES FEBRUARY 10, 2017

APPLICATION BY:

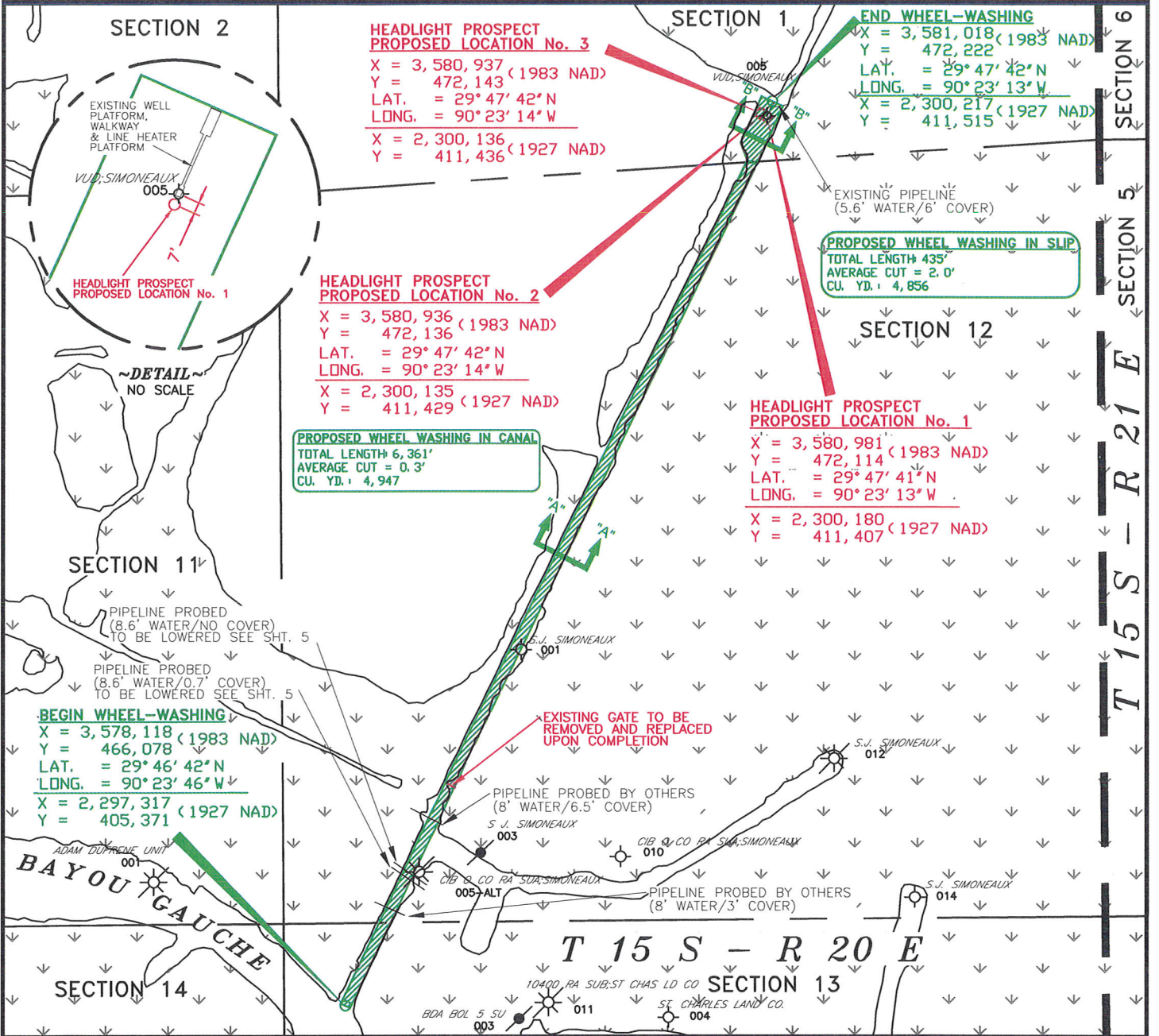
LLOX, L.L.C.  
1001 OCHSNER BLVD., SUITE A  
COVINGTON, LOUISIANA 70433  
PH: (985) 276-5700

SHEET 1

EGR SERVICES, LLC  
1330 PARK DRIVE, SUITE 300  
MANDEVILLE, LA 70471  
PH: (985)626-7044  
FIRM No.: VF.0000762







NOTE: ADDITIONAL PIPELINES MAY EXIST.  
ALL COORDINATES AND BEARINGS ARE GRID,  
AND ARE ON THE LOUISIANA LAMBERT  
PLANE COORDINATE SYSTEM, SOUTH ZONE,  
1983 NORTH AMERICAN DATUM.  
NOTE: 1927 NAD COORDINATES ALSO SHOWN.

**LLOX, L.L.C.**  
**HEADLIGHT PROSPECT Nos. 1, 2 & 3**  
LOCATED IN  
SECTION 1, T15S-R20E  
BOUTTE FIELD  
ST. CHARLES PARISH, LOUISIANA  
SCALE: 1" = 1000' FEBRUARY 10, 2017

APPLICATION BY:  
LLOX, L.L.C.  
1001 OCHSNER BLVD., SUITE A  
COVINGTON, LOUISIANA 70433  
PH: (985) 276-5700

EGR SERVICES, LLC  
1330 PARK DRIVE, SUITE 300  
MANDEVILLE, LA 70471  
PH: (985)626-7044  
FIRM No.: VF.0000762





# T 15 S - R 20 E

SECTION 12

PROPOSED WHEEL WASHING IN CANAL

**BEGIN LOWERING OF EXISTING PIPELINE**  
 X = 3,578,516 (1983 NAD)  
 Y = 467,003 (1983 NAD)  
 LAT. = 29° 46' 51" N  
 LONG. = 90° 23' 42" W  
 X = 2,297,715 (1927 NAD)  
 Y = 406,296

**END LOWERING OF EXISTING PIPELINE**  
 X = 3,578,575 (1983 NAD)  
 Y = 466,962 (1983 NAD)  
 LAT. = 29° 46' 51" N  
 LONG. = 90° 23' 41" W  
 X = 2,297,774 (1927 NAD)  
 Y = 406,255

PIPELINE PROBED  
 (8.6' WATER/NO COVER)  
 TO BE LOWERED SEE SHT. 5

PIPELINE PROBED  
 (8.6' WATER/0.7' COVER)  
 TO BE LOWERED SEE SHT. 5

**BEGIN LOWERING OF EXISTING PIPELINE**  
 X = 3,578,500 (1983 NAD)  
 Y = 466,969 (1983 NAD)  
 LAT. = 29° 46' 51" N  
 LONG. = 90° 23' 42" W  
 X = 2,297,699 (1927 NAD)  
 Y = 406,262

**END LOWERING OF EXISTING PIPELINE**  
 X = 3,578,559 (1983 NAD)  
 Y = 466,929 (1983 NAD)  
 LAT. = 29° 46' 50" N  
 LONG. = 90° 23' 41" W  
 X = 2,297,758 (1927 NAD)  
 Y = 406,222

C/B O CO RA SUA: SIMONEAUX  
 005-ALT

NOTE: ADDITIONAL PIPELINES MAY EXIST.  
 ALL COORDINATES AND BEARINGS ARE GRID,  
 AND ARE ON THE LOUISIANA LAMBERT  
 PLANE COORDINATE SYSTEM, SOUTH ZONE,  
 1983 NORTH AMERICAN DATUM.  
 NOTE: 1927 NAD COORDINATES ALSO SHOWN.

## LLOX, L.L.C.

HEADLIGHT PROSPECT Nos. 1, 2 & 3  
 LOCATED IN  
 SECTION 1, T15S-R20E  
 BOUTTE FIELD  
 ST. CHARLES PARISH, LOUISIANA  
 SCALE: 1" = 100' FEBRUARY 22, 2017

APPLICATION BY:

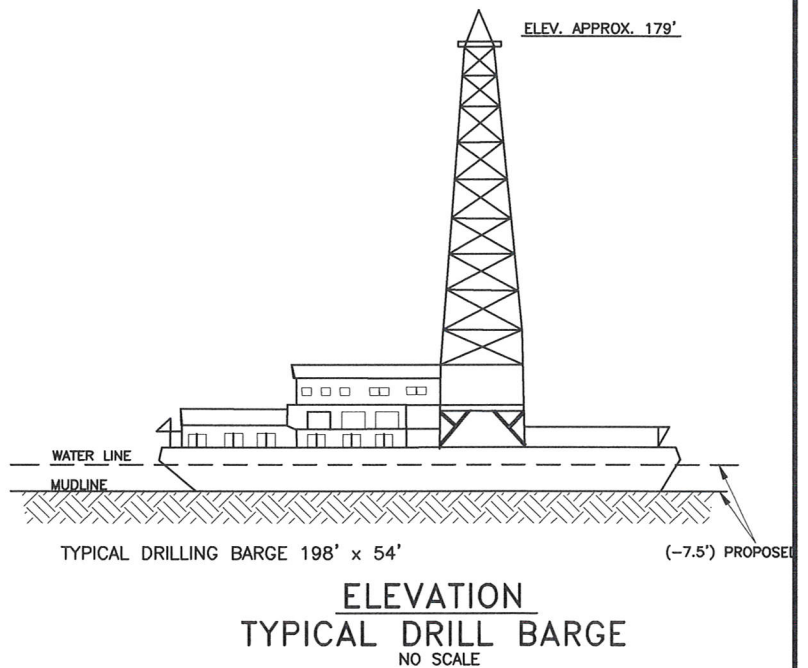
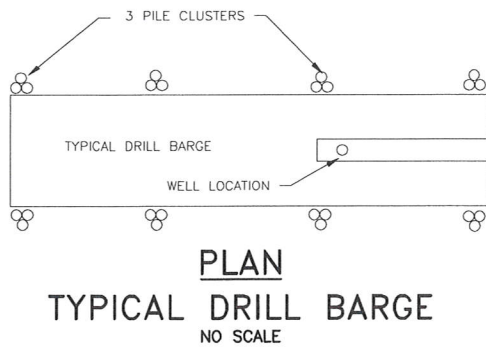
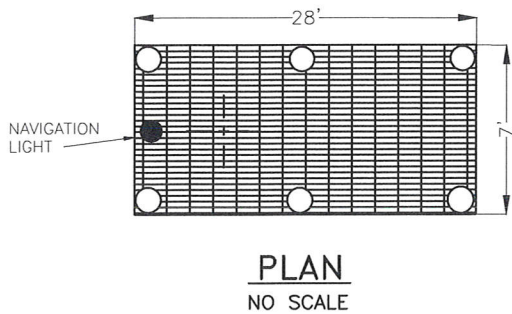
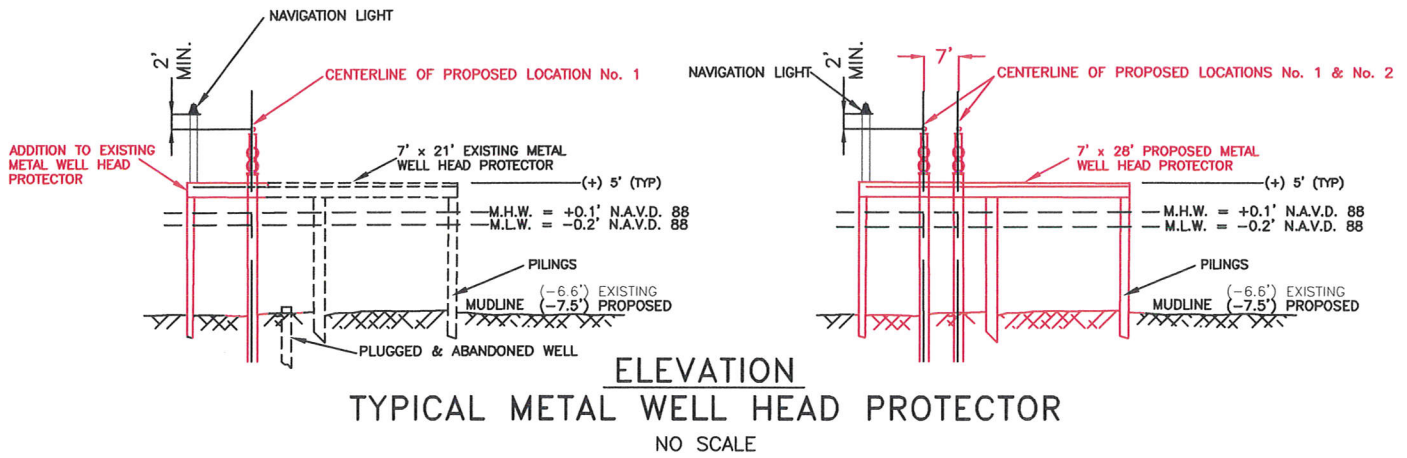
LLOX, L.L.C.  
 1001 OCHSNER BLVD., SUITE A  
 COVINGTON, LOUISIANA 70433  
 PH: (985) 276-5700

SHEET 2A

EGR SERVICES, LLC  
 1330 PARK DRIVE, SUITE 300  
 MANDEVILLE, LA 70471  
 PH: (985) 626-7044  
 FIRM No.: VF.0000762





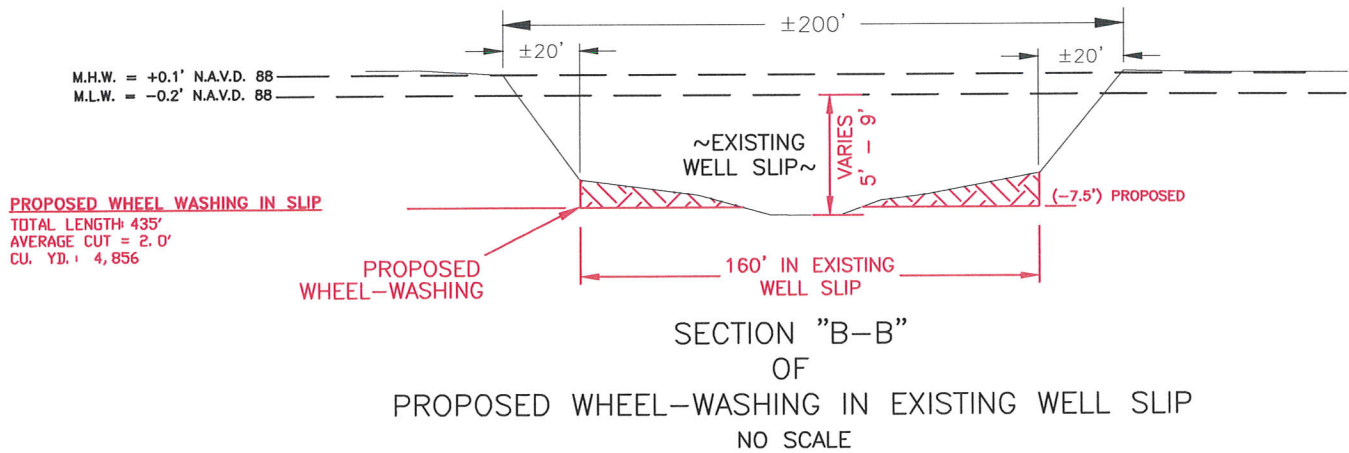
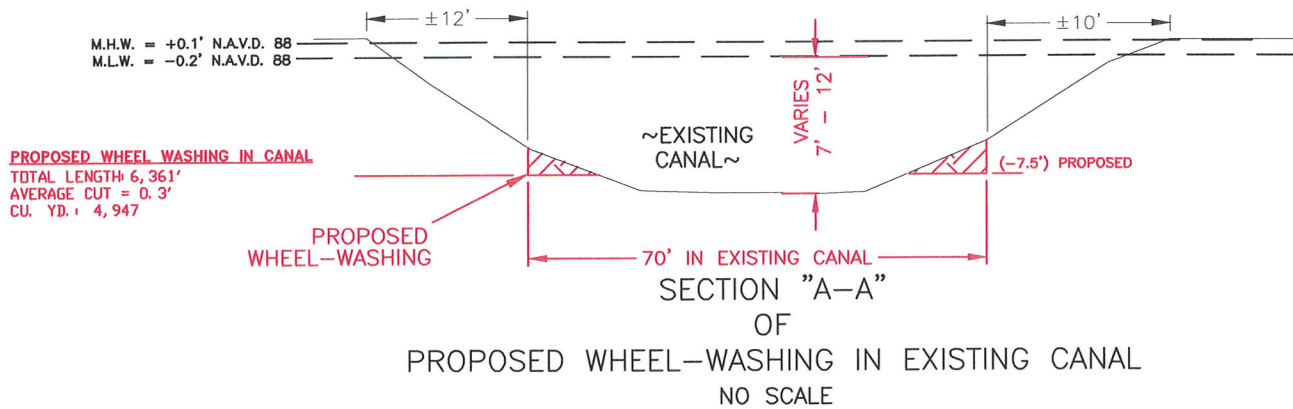


**LLOX, L.L.C.**  
HEADLIGHT PROSPECT Nos. 1, 2 & 3  
LOCATED IN  
SECTION 1, T15S-R20E  
BOUTTE FIELD  
ST. CHARLES PARISH, LOUISIANA  
NO SCALE FEBRUARY 10, 2017

APPLICATION BY:

LLOX, L.L.C.  
1001 OCHSNER BLVD., SUITE A  
COVINGTON, LOUISIANA 70433  
PH: (985) 276-5700

EGR SERVICES, LLC  
1330 PARK DRIVE, SUITE 300  
MANDEVILLE, LA 70471  
PH: (985)626-7044  
FIRM No.: VF.0000762



**LLOX, L.L.C.**  
 HEADLIGHT PROSPECT Nos. 1, 2 & 3  
 LOCATED IN  
 SECTION 1, T15S-R20E  
 BOUTTE FIELD  
 ST. CHARLES PARISH, LOUISIANA  
 NO SCALE      FEBRUARY 22, 2017

APPLICATION BY:

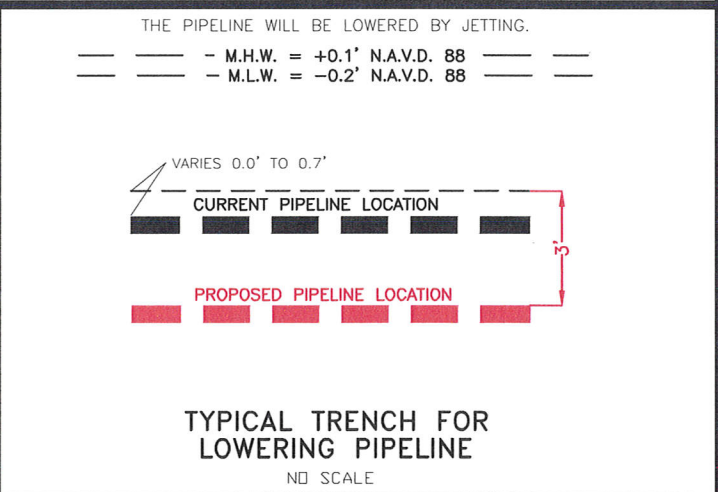
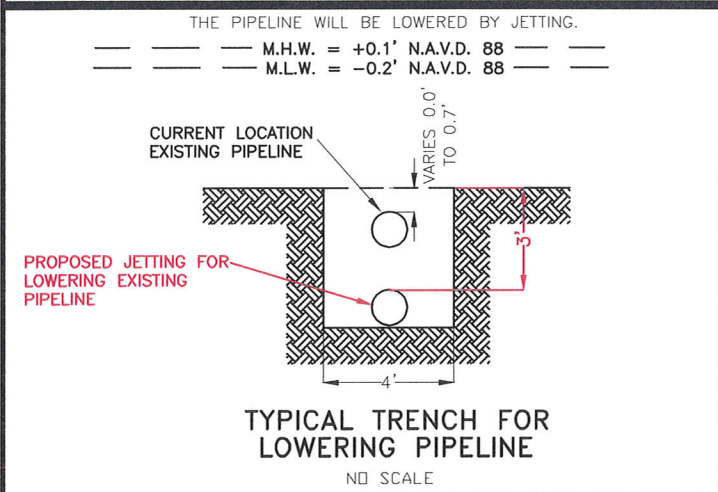
LLOX, L.L.C.  
 1001 OCHSNER BLVD., SUITE A  
 COVINGTON, LOUISIANA 70433  
 PH: (985) 276-5700

SHEET 4

EGR SERVICES, LLC  
 1330 PARK DRIVE, SUITE 300  
 MANDEVILLE, LA 70471  
 PH: (985)626-7044  
 FIRM No.: VF.0000762

**NOTES**

1. Approximately 9,803 cubic yards of material will be displaced by wheel washing.
2. Approximately 11.7 acres of water bottoms will be affected by wheel washing in existing access canal and well slip. Total length of wheel washing = 6,796 L.F.
3. Approximately 62 cubic yards of material will be displaced by jetting to lower two existing pipelines that cross existing access canal.
4. All structures, facilities, well and pipelines/flowlines shall be removed within 120 days of abandonment of the facilities for the permitted use, unless prior written approval to leave such structures in place is received from the Coastal Management Division. This condition does not preclude the necessity for revising the current permit or obtaining a separate Coastal Use Permit, should one be required for such removal activities.
5. As-built drawings and/or plats shall have written on them the date of completion of said activities and shall be submitted to the Louisiana Department of Natural Resources, Office of Coastal Management, PO Box 44487, Baton Rouge, LA 70804-4487 within 30 days following project completion.
6. In order to ensure the safety of all parties, the permittee shall contact the Louisiana ONE CALL System (1-800-272-3020) a minimum of two (2) full business days prior to the commencement of any excavation (digging, dredging, jetting, etc.) or demolition activity.
7. All oil and gas platforms and appurtenant structures shall be marked/lighted in accordance with U.S. Coast Guard regulations.
8. These plans were prepared exclusively for obtaining regulatory permits. These plans are not engineering or construction drawings and should not be used as such.
9. This is not a Property Boundary Survey as defined in the "Standards of Practice for Boundary Surveys" per LAC Title 46:LXI §2907



**LLOX, L.L.C.**  
**HEADLIGHT PROSPECT Nos. 1, 2 & 3**  
 LOCATED IN  
 SECTION 1, T15S-R20E  
 BOUTTE FIELD  
 ST. CHARLES PARISH, LOUISIANA  
 NO SCALE FEBRUARY 10, 2017

APPLICATION BY:

LLOX, L.L.C.  
 1001 OCHSNER BLVD., SUITE A  
 COVINGTON, LOUISIANA 70433  
 PH: (985) 276-5700

EGR SERVICES, LLC  
 1330 PARK DRIVE, SUITE 300  
 MANDEVILLE, LA 70471  
 PH: (985)626-7044  
 FIRM No.: VF.0000762