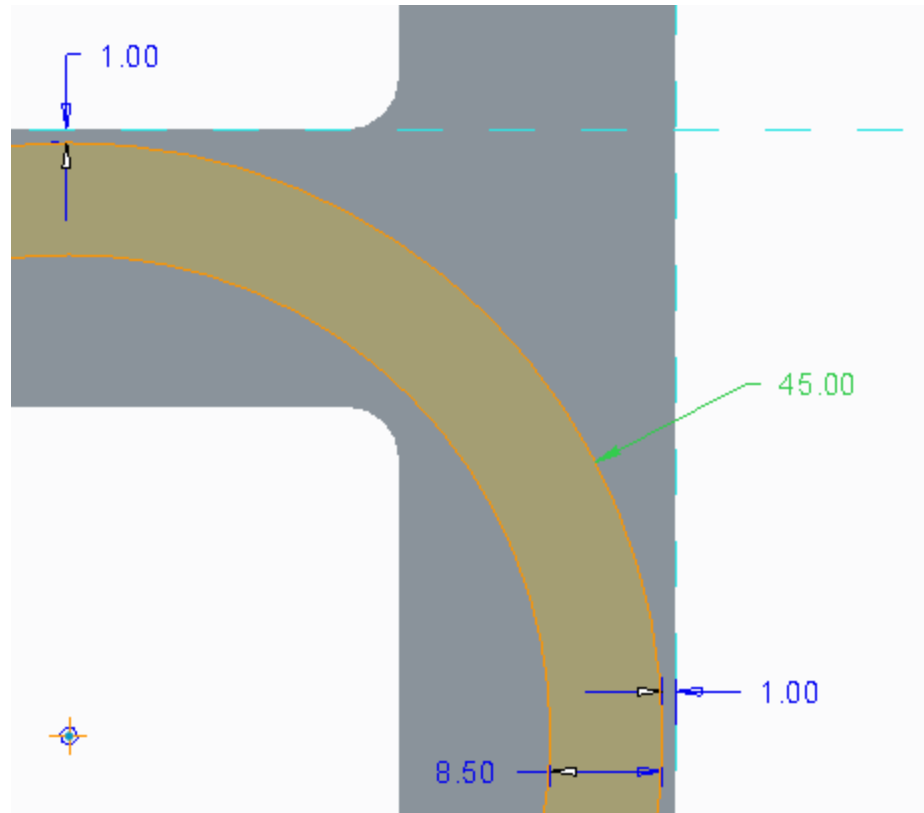


# Paul Maillard @ Canal St.



\*Both streets approximately 21ft wide.

Using:

$$\text{Turn Radius} = (\text{length of tow vehicle}) + 0.5(\text{length of RV})$$